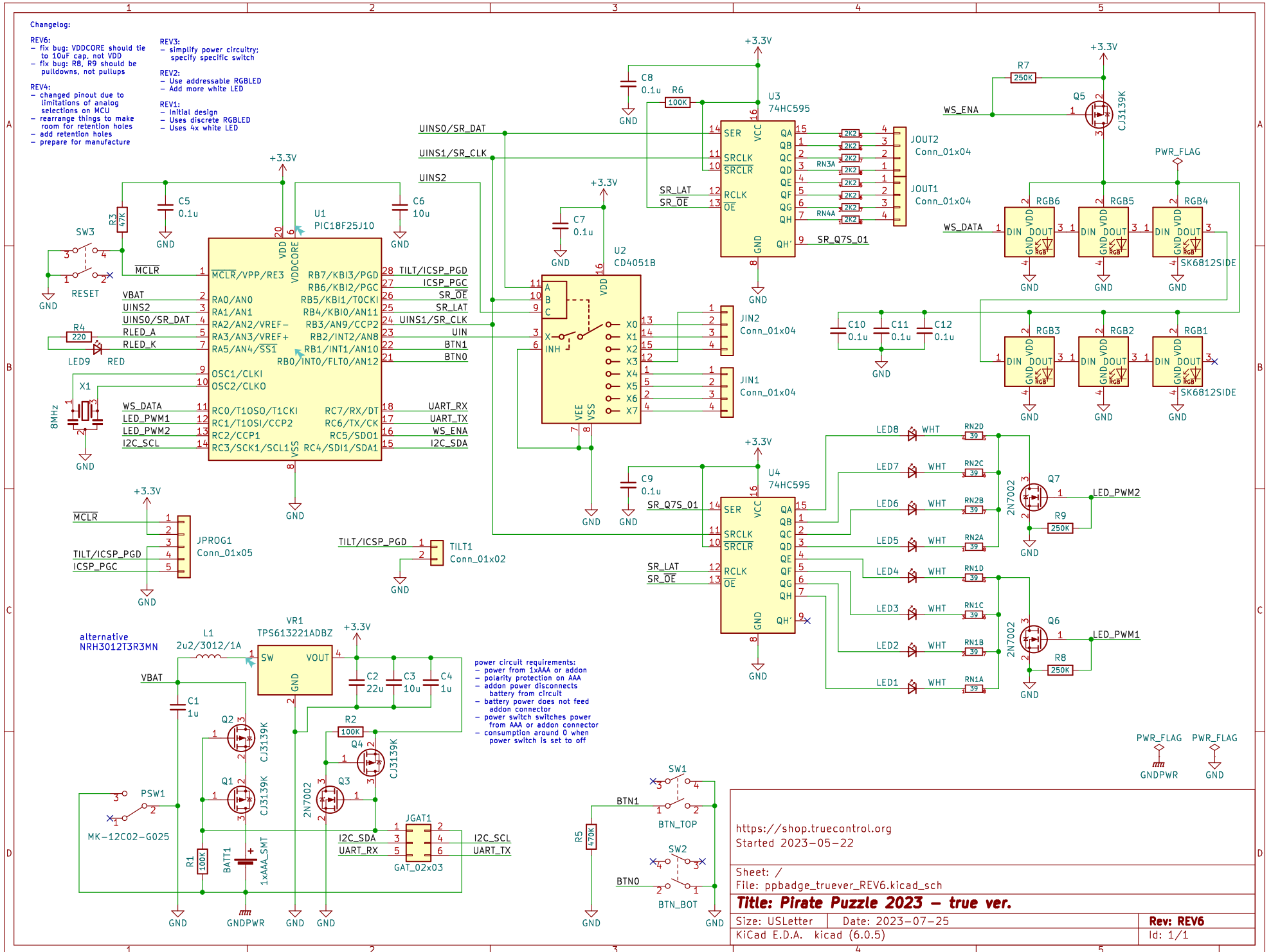


Changelog:

- REV6:
  - fix bug: VDDCORE should tie to 10uF cap, not VDD
  - fix bug: R8, R9 should be pulldowns, not pullups
- REV4:
  - changed pinout due to limitations of analog selections on MCU
  - rearrange things to make room for retention holes
  - add retention holes
  - prepare for manufacture
- REV3:
  - simplify power circuitry; specify specific switch
- REV2:
  - Use addressable RGBLED
  - Add more white LED
- REV1:
  - Initial design
  - Uses discrete RGBLED
  - Uses 4x white LED



power circuit requirements:  
 - power from 1xAAA or add-on  
 - polarity protection on AAA  
 - add-on power disconnects battery from circuit  
 - battery power does not feed add-on connector  
 - power switch switches power from AAA or add-on connector  
 - consumption around 0 when power switch is set to off

<https://shop.truecontrol.org>  
 Started 2023-05-22

Sheet: /  
 File: ppbadge\_truever\_REV6.kicad\_sch

**Title: Pirate Puzzle 2023 - true ver.**

Size: USLetter    Date: 2023-07-25  
 KiCad E.D.A. kicad (6.0.5)

Rev: REV6  
 Id: 1/1