

Changelogs:

REV6wp:
- fix VDDCORE connected to VDD; add VDDCORE cap
- swapped pin23 and pin24 to match PP version

REV5wp:
- changed pinout due to limitations of analog selections on MCU

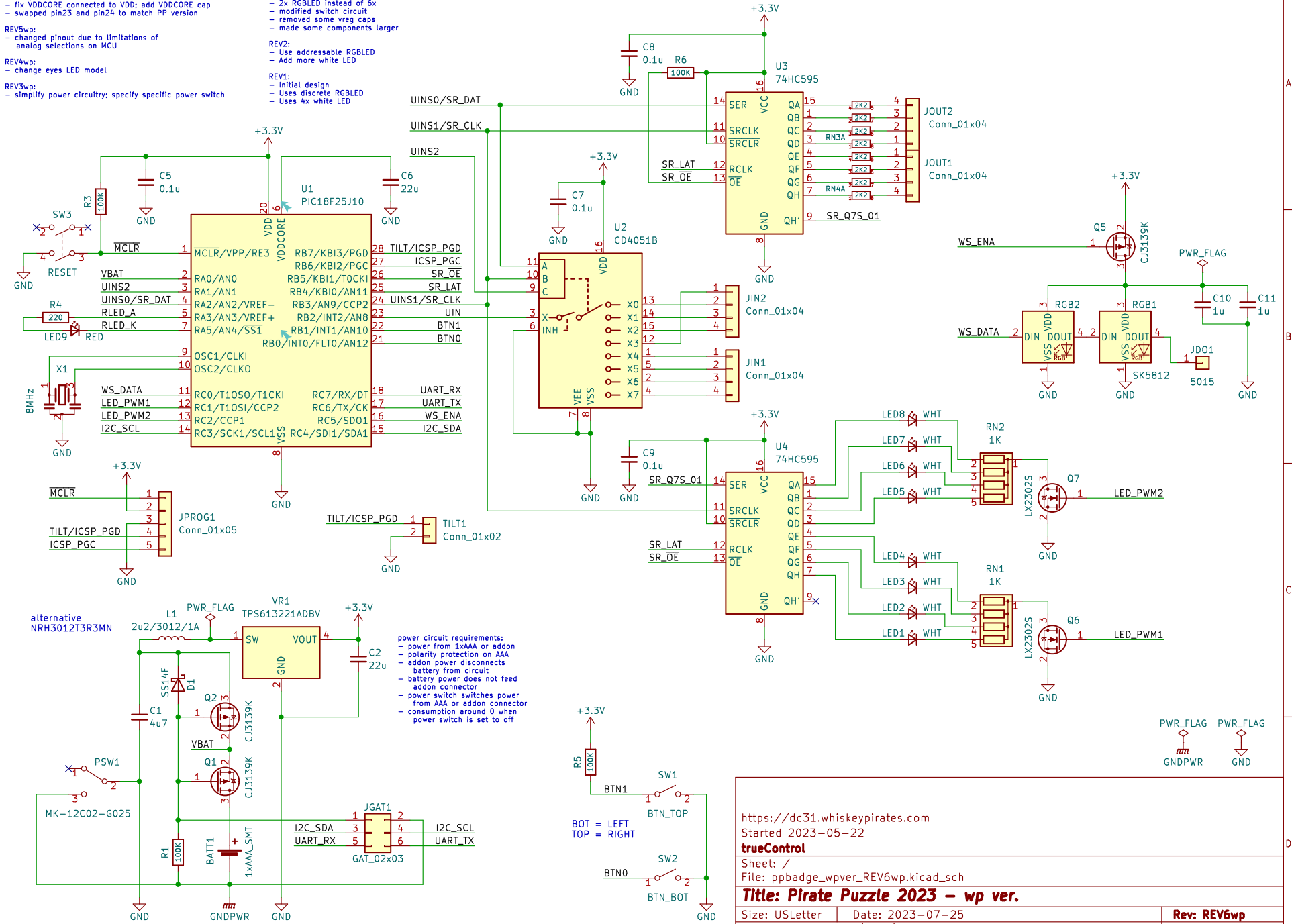
REV4wp:
- change eyes LED model

REV3wp:
- simplify power circuitry; specify specific power switch

REV2wp:
- 2x RGBLED instead of 6x
- modified switch circuit
- removed some vreg caps
- made some components larger

REV2:
- Use addressable RGBLED
- Add more white LED

REV1:
- Initial design
- Uses discrete RGBLED
- Uses 4x white LED



power circuit requirements:
 - power from 1xAAA or add-on
 - polarity protection on AAA
 - add-on power disconnects
 - battery from circuit
 - battery power does not feed add-on connector
 - power switch switches power from AAA or add-on connector
 - consumption around 0 when power switch is set to off

<https://dc31.whiskeypirates.com>
 Started 2023-05-22

trueControl

Sheet: /
 File: ppbadge_wpver_REV6wp.kicad_sch

Title: Pirate Puzzle 2023 - wp ver.

Size: USLetter Date: 2023-07-25
 KiCad E.D.A. kicad (6.0.5)

Rev: REV6wp
 Id: 1/1